

Sink Phantom

Kitchen Sinks

Code: 4371 051



DETAILS

Edge/Installation Type	Undermount
Material	AISI 304 stainless steel
Texture	Brushed in line
Finish	Foster brushed
Base	80 cm
Width	72.6 cm
Dimensions	726x416 mm
Bowl dimension	710 x 400 mm
Built-in hole	View technical data sheet

Standard fittings Fixing hooks, drain, overflow and siphon, boxed packing

Mixer holes No standard holes

Drainer No

Waste fitting 3,5" drain

Number of bowls 1 bowl

FEATURES

Basket 3,5" waste fitting The drain is equipped with a large 3.5" drain, with the practical basket cap that prevents the discharge of solid parts.

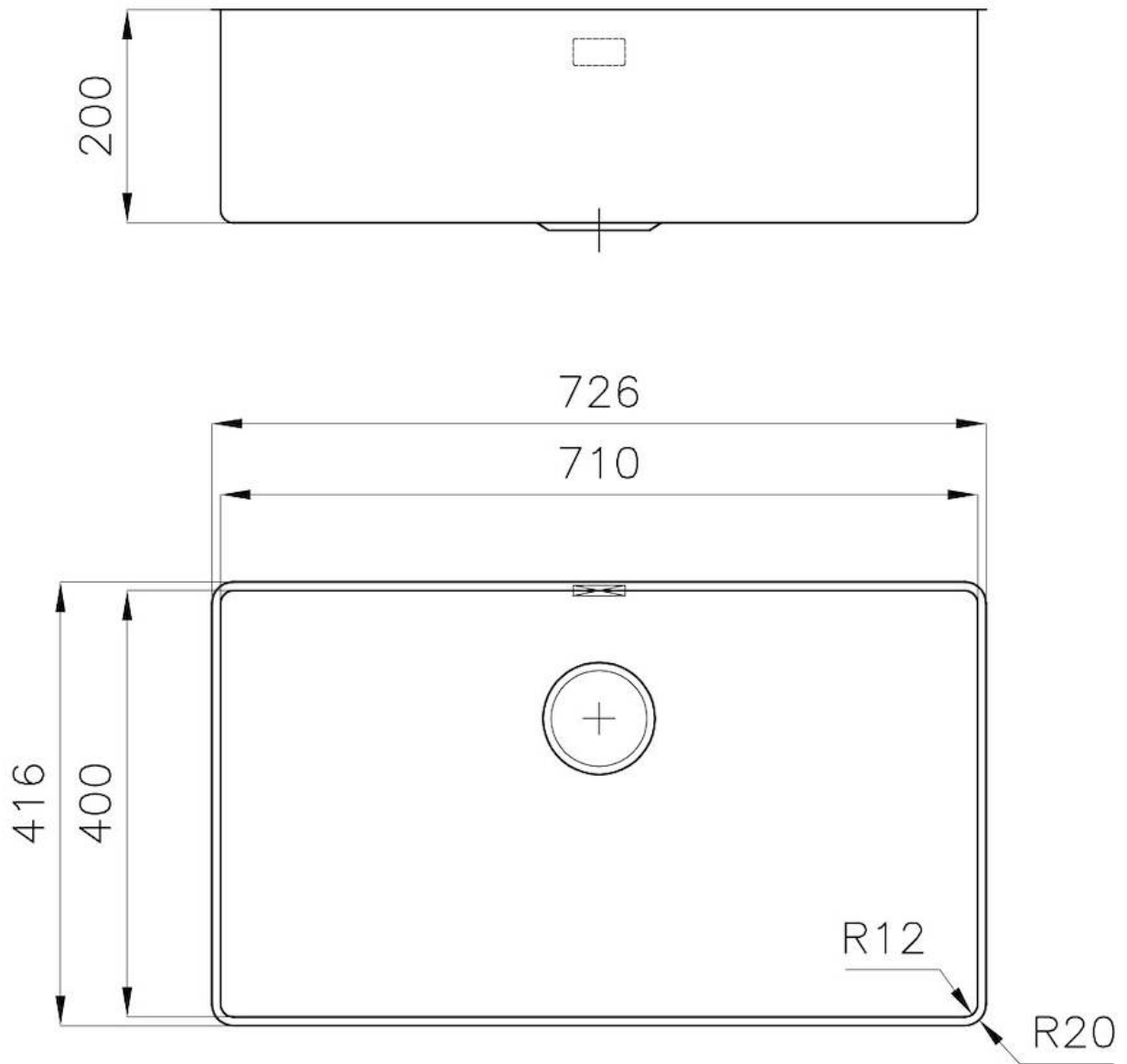
Deep bowls This bowls reach an important depth, over 20 cm, thanks to the advanced production technology, that can be offer great capiciency and practicity in all the washing operations.

High thickness 1mm thick steel. A significant thickness, which guarantees the maximum sturdiness and durability.

Perimetral overflow The overflow is always a security on the Foster sinks that prevents the overflow of water in case of oversights. The perimeter drain solution improves aesthetics thanks to its square and essential shape.

Small radius Bowls with squared shapes with a modern design and an increased capacity, for a minimal aesthetics connected with an extreme practicity.

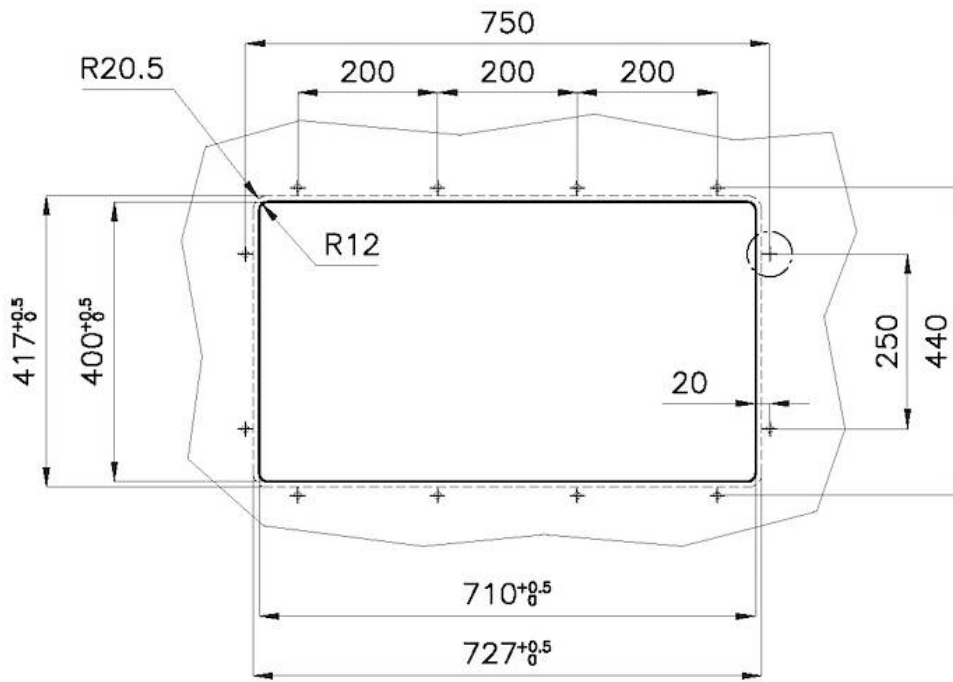
TECHNICAL DATA



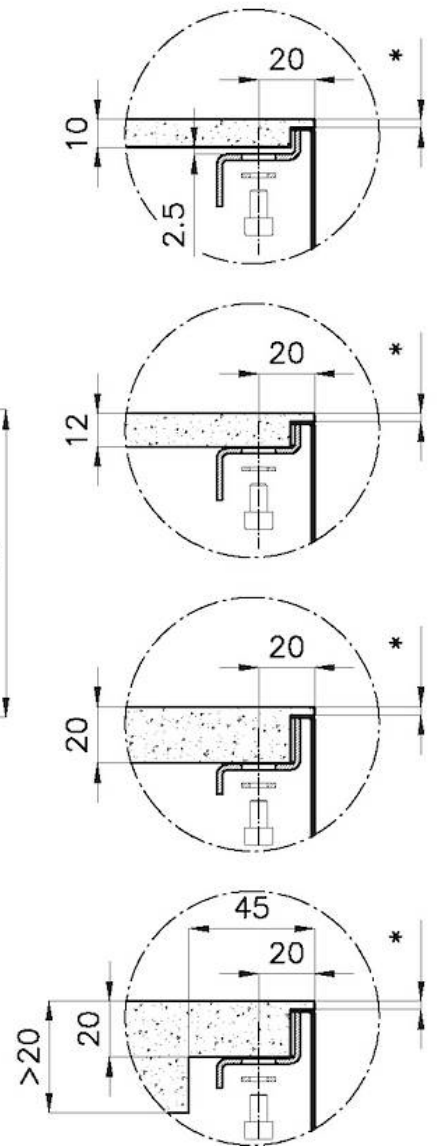


* Lo spessore minimo deve essere valutato in base alla resistenza del materiale

* The minimum thickness must be determined according to the strength of the material



Posizioni fori per fissaggio
Fixing hole positions



* Lo spessore minimo deve essere valutato in base alla resistenza del materiale
* The minimum thickness must be determined according to the strength of the material

GALLERY



OPTIONAL ACCESSORIES



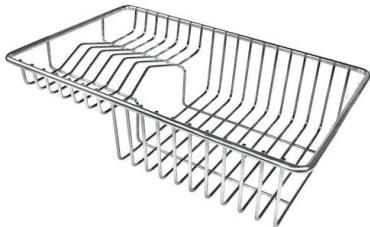
Glass chopping board
8631 300



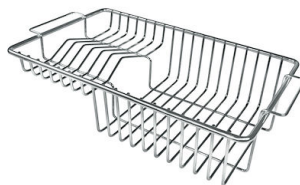
HDPE Chopping board
8657 001



HPDE Twin chopping board
8644 101



Stainless steel plate rack
8100 303



Stainless steel plate rack
8100 201



White bowl
8153 100

* only in combination with the accessory
8644 101



Black grid
8100 617



Black grid
8100 653



Graters kit with ring-holder and food collection tray

8159 101
* only in combination with the accessory
8644 101



Stainless steel perforated tray

8151 000

* only in combination with the accessory
8644 101



Stainless steel perforated tray PVD

Copper

8151 008

* only in combination with the accessory
8644 101



Stainless steel perforated tray PVD

Gold

8151 009

* only in combination with the accessory
8644 101



Stainless steel perforated tray PVD

Gun Metal

8151 006

* only in combination with the accessory
8644 101

OPTIONAL AUTOMATIC WASTE FITTINGS



Automatic waste fitting - PM
8407 113



Space automatic waste fitting - PA
8407 108



Space automatic waste fitting - PE
8407 109



**Space Light automatic waste fitting
- PL**
8407 117



**Space Push automatic waste fitting
- PP**
8407 116